

## What are the design criteria for RimBoard Plus?

Grant RimBoard Plus meets or exceeds the APA EWS Rim Board and Voluntary Product Standard PS1 or PS2 specifications.

	Design Capacity
Horizontal Load Transfer Capacity:	200 lbs/ft
Vertical Load Capacity:	5700 lbs/ft*
Lag Screw Resistance: (1/2" dia.)	350 pf
Concentrated Load:	3500 pf

\* for depths  $\leq 18"$

These values were derived by applying a factor of safety\* to all performance properties at ultimate load and are considered to be conservative.

**APA EWS**  
**RIM BOARD PLUS**  
 1 1/8 INCH  
 MILL 409      PRR-401

The APA EWS standard satisfies all conventional building practices in North America. In the event that you are faced with an unusual situation, where the lateral load transfer capacity is a governing factor in the design, add a commercially available speciality connector between RimBoard Plus and the framing or sole plate.

### \* Factors of safety

- Horizontal load transfer capacity 1:2.8
- Vertical load capacity and concentrated load capacity 1:3
- Lag screw lateral resistance 1:4



ValuPak      MiniPak

## What package sizes are available?

Grant RimBoard Plus is available in two package sizes that minimize inventory carrying costs and increase turns.

	MiniPak	ValuPak
9-1/2"	30 pcs	100 pcs
11-1/4"	24 pcs	80 pcs
14", 16"	18 pcs	60 pcs

## How should RimBoard Plus be stored?

As with all wood based products. Ship under tarp and if possible store lifts indoors or under cover. Use supports to keep RimBoard Plus off the ground and provide air circulation around the boards.



New From  
**Grant Forest Products**



New and improved  
**RIMBOARD PLUS**  
 adds to your bottom line

**PLUS** means...

- *added Strength*
- *added Reliability*
- *added Sales*
- *added Acceptance*



Grant Forest Products Corp.

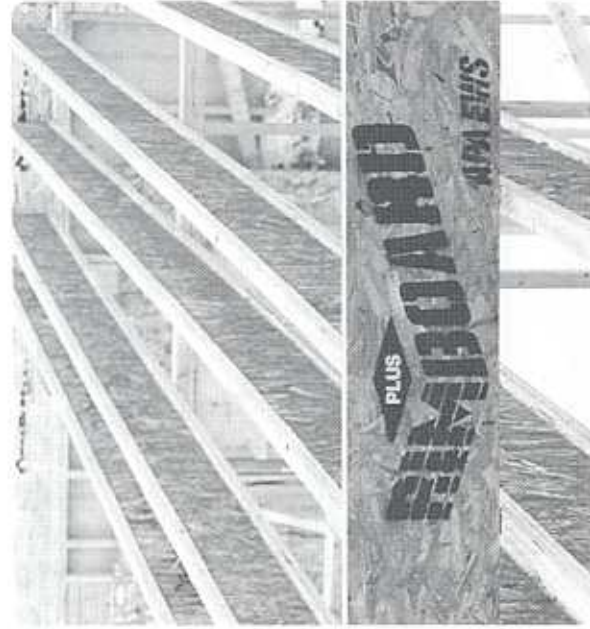
**Grant Forest Products Corp.**

2233 Argentinia Road, Suite 104, Mississauga, ON L5M 2X7  
 Tel (905) 858-3200, Fax (905) 858-3208



*Don't settle for  
ordinary Rim Board....*

Choose  
**RIMBOARD**   
by Grant



Grant's superior engineering has done it again with new RimBoard Plus. It's increased strength, recognized performance, convenient packaging and prompt delivery make Grant RimBoard Plus the best choice.

Grant's superior customer service, complete line, competitive pricing and flexible package size mean increased turns and lower inventory costs which will add to your bottom line.

## What is RimBoard Plus?

The APA Performance Rated Rim Board trademark is your assurance that RimBoard Plus conforms to the Performance Standard for APA Performance Rated Rim Board (PRR-401). RimBoard Plus is audited and certified by the APA in accordance with provisions of the Performance Standard for Rated Rim Board. The APA is an accredited testing and certification organization recognized by NES, SCC and NVLAP.

The APA has worked with the ICBO Evaluation Service in establishing the Acceptance Criteria for Wood Base Rim Board Products (AC-124). These criteria were then adopted by the ICBO ES Evaluation Committee.

## Where is RimBoard Plus used?

Grant RimBoard Plus is a perimeter board designed specifically to finish a floor system quickly and accurately. RimBoard Plus is precise and dimensionally stable and is engineered to tie the floor joists together and carry the lateral and vertical loads from the walls past the I-joist system to the sill plate and foundation wall.

## What sizes are available?

Grant RimBoard Plus is 1-1/8" thick and 12 feet long and comes in a range of standard depths including 9-1/2", 11-7/8", 14" and 16". Other depths are available on request.

## What makes RimBoard Plus Special?

### STRENGTH:

Grant RimBoard Plus is strong and durable. The product is engineered to conform to all APA EWS specifications and meets the demands of conventional framing in residential and light commercial construction.

## NO FORMALDEHYDE CONCERNS:

Grant RimBoard Plus meets or exceeds HUD emission standards.

## MOISTURE PROTECTION:

Grant RimBoard Plus is edge sealed with a distinctive silver gray sealant and is shipped in wrapped bundles for greater protection and superior dimensional stability both in the dealers yard and on the job site.

## WEATHER RESISTANT:

Phenolic resins permit exterior use under normal construction delays. Grant RimBoard Plus meets or exceeds the standards of the APA Exposure I classification for product durability.

## EASY HANDLING:

Grant RimBoard Plus is manufactured in 12' lengths for easy handling, minimal trimming and faster installation.

## INTEGRATED DELIVERY:

Top load Grant RimBoard Plus on your next shipment of Grant OSB. Convenient location and integrated reload centres means prompt just-in-time delivery within 24 hours to most locations in Southern Ontario, North Central and North Eastern USA.



# **PLUS** **RIMBOARD**



- **SAVES ON MATERIALS AND LABOR WHEN USED TO SUPPORT EXTERIOR WALLS PARALLEL TO JOISTS**
- **CONVENIENT 12'0" LENGTHS**
- **EDGE SEALED FOR GREATER PROTECTION**
- **EASY TO INSTALL**



**ValuPak**



**MiniPak**

- **AVAILABLE IN TWO PACKAGE SIZES**
- **SUPERIOR VERTICAL AND LATERAL LOAD BEARING STRENGTH**



## **APPLICATION**

Grant RimBoard Plus has been developed to meet the demand for a component in Engineered Floor Systems that will accurately fill the space between the sill plate and bottom plate of a wall and has the structural capacity to transfer both vertical and lateral loads. Traditionally solid sawn lumber has been used in this application, but today's engineered floor systems call for accurate, engineered components.

## **DESCRIPTION**

Grant RimBoard Plus is manufactured from a proprietary panel design for 1 1/8" OSB and is specifically intended to provide the properties called for by the end use application. Grant RimBoard Plus provides an excellent example of the versatility of our ability to tailor the product to required performance specifications.

## ADVANTAGES

- The product is edge sealed and paper wrapped for superior protection from the weather both at the dealers' yards and on the jobsite.
- Is available in both Valupak and MiniPak packaging sizes to suit the job requirements anytime, anywhere.
- Can be produced to any widths to suit both standard Wood I, as well as openweb systems.
- Twelve foot lengths provide a manageable size that's easy to work with on the jobsite.
- Superior vertical load bearing capacity enables the designer to not only use 1 1/8" RimBoard across the ends of Wood I's but as the fully supported parallel starter joist on the outside wall as well. This helps to avoid duplication and provides a solid working surface for attaching sheathing, siding or exterior decks.
- Recommended for use where a high lateral load transfer capacity is required.

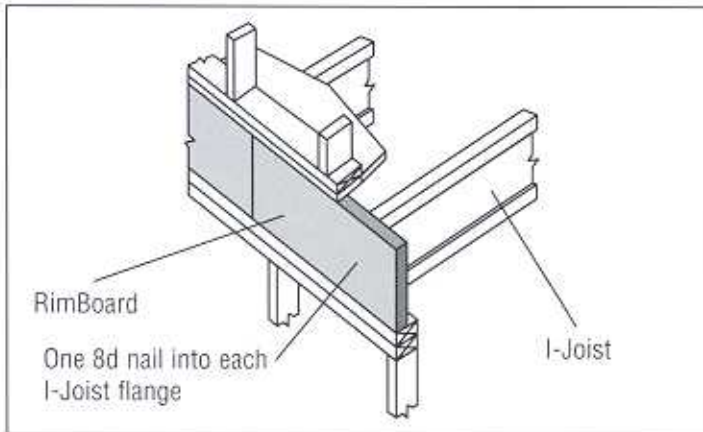
## CONNECTION GUIDELINES

### RIMBOARD TO I-JOIST

Use 2 8d nails, one each into top and bottom flange. Some I-Joist manufacturers may require a larger nail size.

### RIMBOARD TO SILL PLATE

Toe-nail 8d nails at 6" o.c. or 16d nails at 12" o.c.

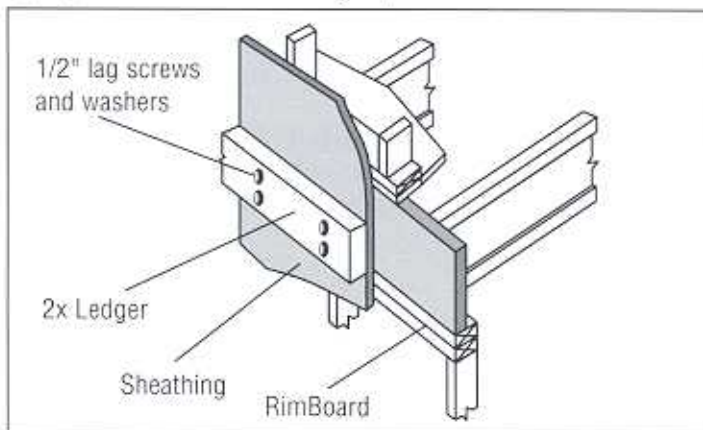


### STRUCTURAL PANEL FLOOR DECK TO RIMBOARD

Use 8d nails or 10d nails at 6" o.c.

### 2X LEDGER TO RIMBOARD

Use 1/2" diameter lag screws with washers and a nominal length of 4" or 1/2" diameter through bolts with washers and nuts. Based on 350 Lbf - per screw or bolt for the lateral design subjected to normal duration. For other fasteners or loading conditions refer to the appropriate 1991 National Design Specification values for SPF.



## PERFORMANCE CRITERIA

Grant RimBoard Plus is manufactured in accordance with PRR-401 Performance Standard for APA EWS RimBoards which in turn meets or exceeds the requirements given in the ICBO ES (Evaluation Services) Acceptance Criteria for Wood-Based RimBoard Products.

## STRUCTURAL PERFORMANCE CRITERIA

The structural performance level for 1 1/8" Grant RimBoard Plus shall meet or exceed those standards which have been developed for APA EWS RimBoards and include horizontal load transfer capacity, bearing load capacity and 1/2" dia lag screw lateral resistance.

Design Capacities	Depth Limitation	Unit of Measurement	Value
Horizontal Load Transfer Capacity:	Up to 24"	Lbf/ft	200
Vertical Load Capacity:	Up to 18"	Lbf	5700
	20"	Lbf	4850
	22"	Lbf	4100
	24"	Lbf	3500
Lateral Resistance 1/2" dia lag screw:	Up to 24"	Lbf	350
Concentrated Load Capacity:	Up to 24"	Lbf	3500

## PACKAGE SIZES

Grant RimBoard is 1 1/8" thick, 12'0" long and widths in stock include 9 1/2", 11 7/8", 14", and 16". Grant RimBoard can be produced to any required width, for example, other widths produced have included 9 1/4", 11 1/4", 13", 18", 20", 22" & 24".

Grant RimBoard is available in two package sizes that both minimize inventory carrying costs and increase turns.



	ValuPak	MiniPak
9-1/4", 9-1/2"	100 pcs	30 pcs
11-1/4", 11-7/8"	80 pcs	24 pcs
14", 16"	60 pcs	18 pcs
18", 20", 22", 24"	40 pcs	12 pcs

## STORAGE AND HANDLING

As with all wood-based products, ship under tarp and if possible store lifts indoors or under cover. Use supports to keep RimBoard off the ground and provide air circulation around the boards.



**Grant Forest Products Sales Inc.**

SALES OFFICE:

2233 Argentia Road., Suite 104

Mississauga, ON L5N 2X7

Tel (905) 858-3200, Fax (905) 858-3208